

1 Handwheel brings 3 effects!

Manual Brush-Cleaning Nozzle Header BRASIKan® series



① *Reliable operation without interruption* → *Better Productivity*

② *Maintenance downtime reduced* → *Cost cutting*

③ *Steady spraying of products* → *Higher product quality*

BRASIKan® is a spray header with internal brushes, which clear any clogs by only turning the handwheel. Disassembling the nozzles is unnecessary. It is ideal for applications where clogging is a concern and maintenance is difficult.

Having an even spray distribution, BRASIKan® is optimal, anti-clogging spray header for uniform cleaning/cooling.

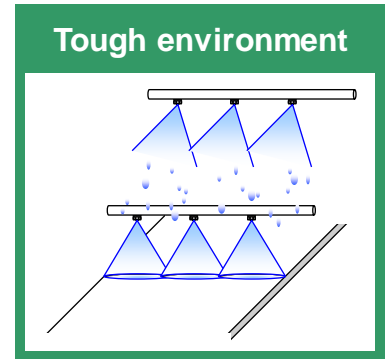
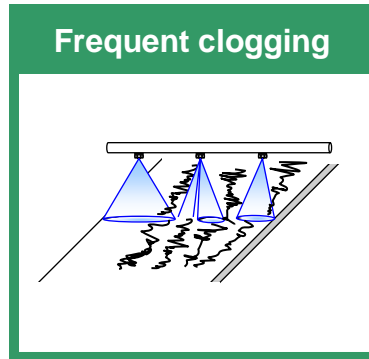
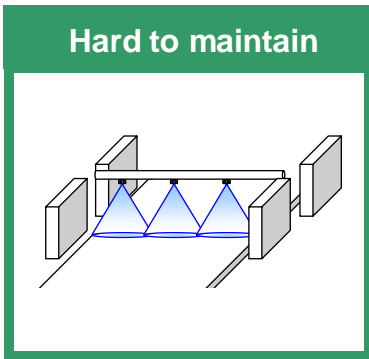


“The Fog Engineers”

H. IKEUCHI & CO., LTD.

● If you are suffering from these troubles...

- Recirculated water is being used and nozzles are easily clogged.
- Disassembling all nozzles is troublesome.
- Chemicals used make maintenance work difficult.
- It takes too much time and money to clean nozzles.
- Down time has become a problem.



BRASIKan® solves these problems!

● You just turn the handle, that's it!

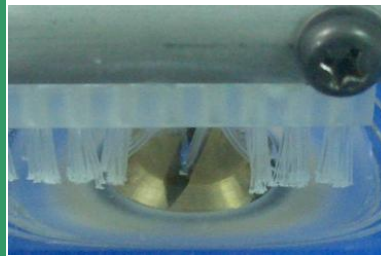
Clogging is cleared without stopping operation!

Turn the handwheel to rotate the inner brushes.



When the handwheel is turned

Inner brushes clean the nozzle orifice thoroughly!



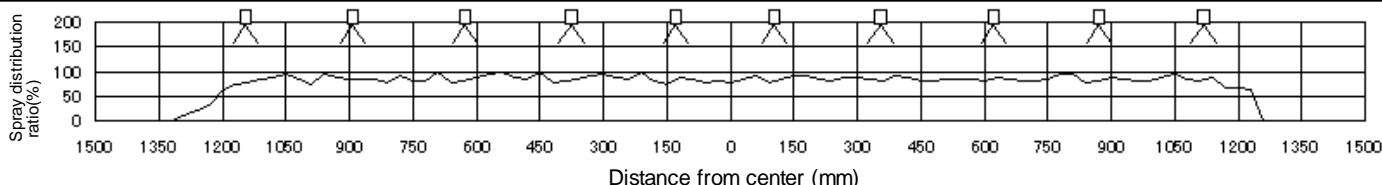
Foreign objects inside the pipe are flushed out through the drain.



● Uniform spray distribution

BRASIKan® spray nozzles are designed to produce a mountain-shaped distribution in order to obtain a uniform spray distribution in multiple-nozzle arrangements.

Thus BRAIKan® is ideal for applications requiring even spray distribution.



*Measuring conditions: Spray nozzles having 65° spray angle and 12L/min spray capacity (per 1pc.) at 0.3MPa measured at spray pressure of 0.3MPa and spray height of 275mm, with nozzle spacing 250mm.

● FEATURES

- Inner brush ensures cleaning of nozzle orifice inside pipes .
- Brush is made of PP(polypropylene), durable and hard to wear out.
*Optional stainless steel brush depending on a specific liquid operating temperature.
- Reliable design with mechanism preventing the handle from dropping off. Brush parts can be replaced separately.
- Special FRP(reinforced plastic) header with titanium spray nozzles, acid fluid resistant, is available on request.
- Even spray distribution ensures uniform cleaning and cooling.

● PERFORMANCE RECORD

BRASIKan® has enjoyed a good reputation in applications such as these.

Industry	Line	Process	Application	Effects after installation
Iron, steel-making	Continuous galvanizing line (CGL)	• Alkali scrubber • Annealing	• Brush roll cleaning	• No more burning on plastic rolls, thus saving replacement costs • Dramatic drops in defect ratio
	Electrolytic galvanizing line (EGL)			
	Continuous pickle line (CPL)	• Pre-treatment • After galvanizing • Pickling etc.	• Water cleaning • Water quench • Deacidification • Rinsing	• Reliable operation
	Continuous annealing line (CAL)			• Product quality improved (Sharp decrease in damage due to incomplete cleaning, uniform cooling achieved)

**Cost effect is millions to tens of millions of Yen !
You can recover the investment cost in a short time.**

● GENERAL SPECIFICATIONS

Nozzle: Round-inlet, flat spray nozzles (clog-resistant)

Spray angle: 65°

Spray capacity: 4~20L/min

*Please refer to "Nozzle specifications" for details.

Material: S303 (Stainless steel 303) *Optional: titanium*

*In our material code, "S" represents "stainless steel".

Materials of other parts

Brush: PP(polypropylene) or S304, S316L

Sealant: PTFE

Option

Stainless steel brush



Liquid inlet



Drain (opens for flushing)

Header pipe

Size: 40A (Optional: 50A)

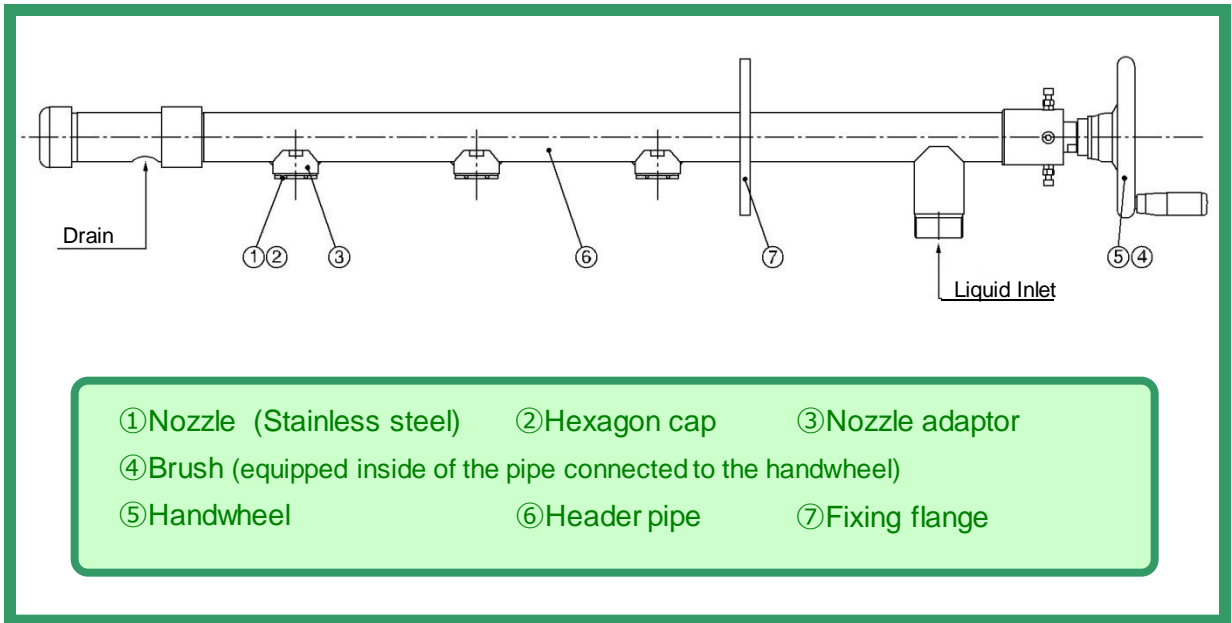
Material: S304 or S316L (Optional: FRP)

Fixing flange

Handwheel

* This is a general, standard specification. Please inquire with us for different specifications.

● MAIN COMPONENTS



● NOZZLE SPECIFICATIONS

Spray angle code (°)	Spray capacity code	Spray capacity (L/min)				Free passage diameter (mm)
		0.2MPa	0.3MPa	0.5MPa	0.7MPa	
65	40	3.27	4.00	5.16	6.11	1.2
	50	4.08	5.00	6.46	7.64	1.3
	60	4.90	6.00	7.75	9.17	1.5
	80	6.53	8.00	10.3	12.2	1.7
	100	8.17	10.0	12.9	15.3	1.9
	120	9.80	12.0	15.5	18.3	2.1
	140	11.4	14.0	18.1	21.4	2.3
	170	13.9	17.0	22.0	26.0	2.5
	200	16.3	20.0	25.8	30.6	2.7

*Spray angle is 65° at the standard pressure of 0.3MPa.

● HOW TO ORDER

We make inquiry drawing forms available to ensure we can correctly meet the specifications you require. Please inquire with us for details.



“The Fog Engineers”

H. IKEUCHI & Co., LTD.

Headquarters

Daiichi Kyogyo Bldg., 1-15-15, Awaza
 Nishi-ku, Osaka 550-0011, Japan
 Tel: 81-6-6538-4015 Fax: 81-6-6538-4022
 e-mail: overseas@kirinoikeuchi.co.jp
 URL: <http://www.kirinoikeuchi.co.jp/eng/>

IKEUCHI (SHANGHAI) CO., LTD.

Room 1311, Building A, North Region Commercial Plaza, 988 Da Tong Road, Zha Bei District, Shanghai 200070, P.R.China
 Tel: 86-21-6140-9731 Fax: 86-21-6123-4239 E-mail: mist@kirinoikeuchi.com URL: <http://www.kirinoikeuchi.com/>
 Tianjin Branch Tel: +86-22-2320-1676 Fax: +86-22-2320-1675

IKEUCHI USA, INC.

8110 Beckett Center Drive, West Chester, OH 45069 USA
 Tel: 1-513-942-3060 Fax: 1-513-942-3064 E-mail: info@ikeuchiusa.com URL: <http://www.ikeuchiusa.com/>

IKEUCHI EUROPE B.V.

Asterweg 17 A6, 1031 HL Amsterdam, The Netherlands
 Tel: 31-20-820-2175 Fax: 31-20-820-2176 E-mail: info@ikeuchieurope.com URL: <http://www.ikeuchieurope.com/>

Ikeuchi Taiwan Co., Ltd.

11 F-1, No.27, Sec.1, Chung Shan N. Rd, Taipei, 10441, Taiwan, R.O.C.
 Tel: 886-2-2511-6289 Fax: 886-2-2541-6392 E-mail: sales@ikeuchi.com.tw URL: <http://www.ikeuchi.com.tw/>

PT. IKEUCHI INDONESIA

Ruko Easton Jalan Gunung Pangerman Blok E No.9, Lippo Cikarang Kel. Cibatu Kec., Cikarang Selatan Bekasi 17550 Indonesia
 Tel: 62-21-2909-3246 Fax: 62-21-2909-3247 sales@ikeuchi.co.id <http://www.kirinoikeuchi.co.jp/ijk/>