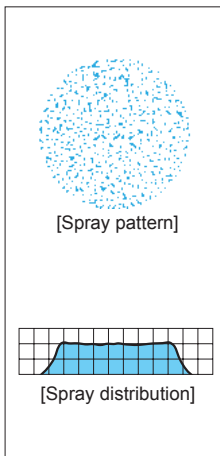
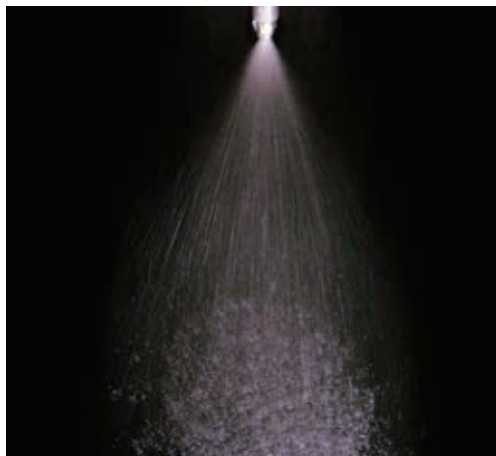


Small Capacity Full Cone Spray Nozzles

J

Full Cone



[Features]

- Full cone spray pattern with a round impact area and uniform distribution.
- Features smallest spray capacity among our full cone spray nozzles.
- Ceramic orifice and closer provide excellent wear-resistance.

[Standard pressure]

0.5 MPa for spray capacity codes of 006 and 008.
0.2 MPa for spray capacity codes of 010 and over.

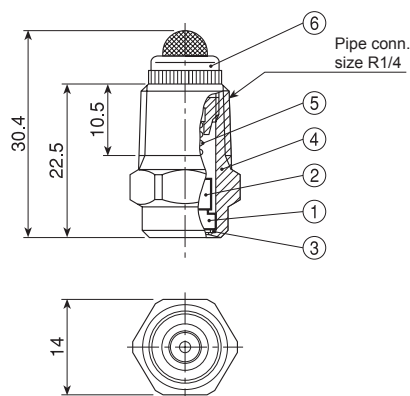
[Applications]

Spraying: Oils, lubricants, glues, etchants
Cleaning: Galvanizing, gas
Cooling: Machinery, gas

J series

J series (with ceramic orifice inserted)	
Structure	<ul style="list-style-type: none"> • Nozzle orifice and closer are made of ceramics. • All models include built-in strainers.
Material	<ul style="list-style-type: none"> • Nozzle orifice & closer: ceramic • Nozzle body: S303 or B (brass) • Optional material: S316
Mass	<ul style="list-style-type: none"> • S303: 17.5 g • B (brass): 18.5 g

[Note] Appearance and dimensions may differ slightly depending on materials and nozzle codes.



- ①Ceramic orifice ②Ceramic closer ③Packing (PTFE)
④Nozzle body ⑤Spring (S316)
⑥Strainer (S303+S304 or ~~B~~+S304)

Spray capacity code	Spray angle (°)			Spray capacity (ℓ/min)									Mean droplet diameter (μm)	Free passage diameter (μm)	Strainer mesh size
	0.1 MPa	0.2 MPa	0.5 MPa	0.1 MPa	0.15 MPa	0.2 MPa	0.3 MPa	0.5 MPa	0.7 MPa	1 MPa	1.5 MPa	2 MPa			
006	—	—	70	—	—	—	0.07	0.09	0.10	0.12	0.14	0.16	130	0.2	200
008	—	—	70	—	—	—	0.09	0.12	0.14	0.16	0.19	0.22	140	0.2	200
010	—	70	65	—	0.09	0.10	0.12	0.15	0.17	0.20	0.24	0.28	160	0.3	200
012	—	70	65	—	0.10	0.12	0.14	0.18	0.21	0.25	0.29	0.33	190	0.3	200
015	—	70	65	—	0.13	0.15	0.18	0.23	0.26	0.31	0.37	0.42	170	0.3	200
020	60	70	65	0.14	0.17	0.20	0.24	0.30	0.35	0.41	0.49	0.56	∫	0.3	200
025	65	70	67	0.18	0.22	0.25	0.30	0.38	0.44	0.51	0.61	0.70	230	0.3	200
030	67	70	68	0.22	0.26	0.30	0.36	0.45	0.52	0.61	0.73	0.83	220	0.4	150
040	67	70	68	0.29	0.35	0.40	0.48	0.60	0.70	0.82	0.98	1.11	∫	0.4	150
050	68	70	68	0.36	0.44	0.50	0.60	0.75	0.87	1.02	1.22	1.39	290	0.5	150
060	68	70	68	0.43	0.52	0.60	0.72	0.90	1.05	1.23	1.47	1.67	280	0.5	150
070	68	70	68	0.51	0.61	0.70	0.84	1.05	1.22	1.43	1.71	1.95	∫	0.6	150
080	68	70	68	0.58	0.70	0.80	0.95	1.19	1.38	1.61	1.92	2.18	350	0.7	150
100	68	70	68	0.72	0.87	1.00	1.19	1.49	1.72	2.01	2.40	2.72	∫	0.7	100
120	68	70	68	0.87	1.05	1.20	1.43	1.79	2.07	2.42	2.88	3.27	∫	0.8	50
140	68	70	68	1.01	1.22	1.40	1.67	2.09	2.41	2.82	3.36	3.81	440	0.9	50

How to order

Please inquire or order for a specific nozzle using this coding system.

<Example> 1/4M J 006N S303W

1/4M J 006 N S303W

