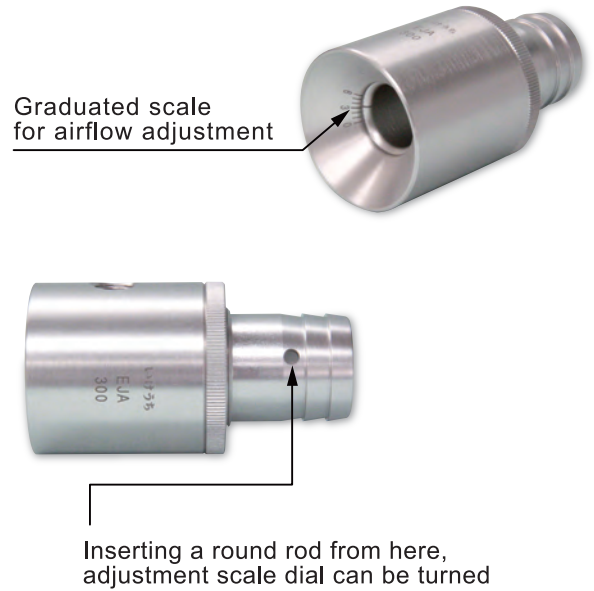
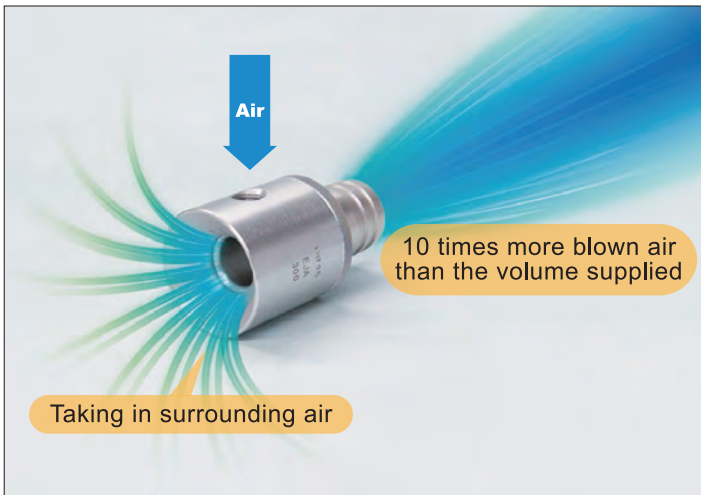


For compressors

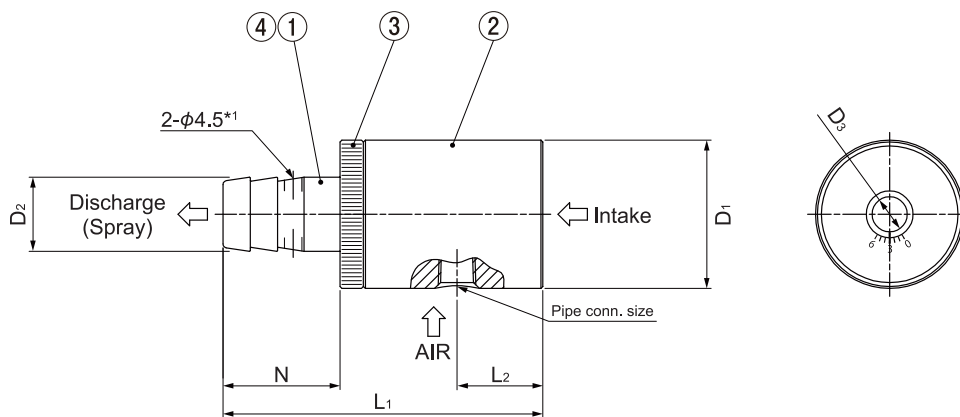
Stainless Steel

FEATURES

- Air booster nozzles producing powerful air blow with small air consumption.
- Graduated scale markings on the nozzle allow for accurate adjustment of blown air volume and intake air volume.
- Made of stainless steel with high wear resistance.



■ Drawing



■ Dimensions and mass

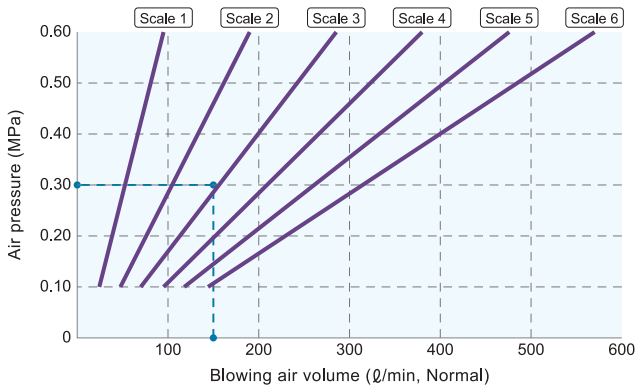
Pipe connection size	Outer dimensions (mm)					Mass (g)
	L ₁	L ₂	φD ₁	φD ₂	φD ₃	
1/8F	82	22	38	19	9	405
1/4F	91	24	50.8	32	20	700
3/8F (450)	101	27	76.3	50.8	40	1,520
3/8F (750)	104	29	101.6	76.3	62	2,370

Figures in () after the pipe connection sizes indicate the air capacity codes.

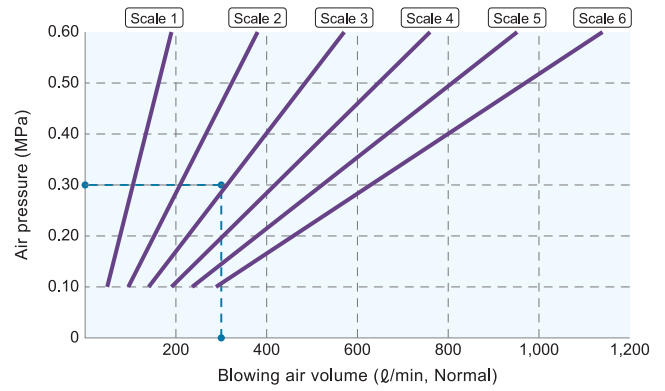
Component	Material
① Body	S303
② Adaptor	S303
③ Lock nut	S303
④ O-ring	NBR

*1) Position of opening for airflow adjustment with round rod

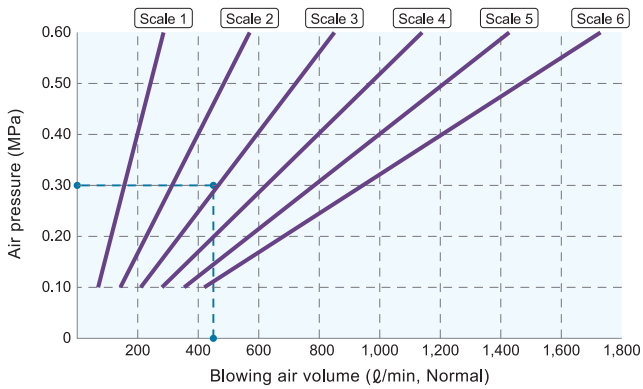
EJA150



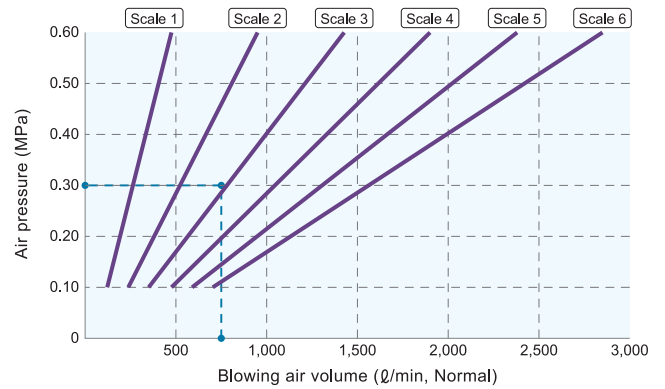
EJA300



EJA450



EJA750



Scales 1–6 are the graduated scale markings on the nozzle for airflow adjustment.

Air capacity code	Pipe connection size	Air consumption (l/min, Normal)*2				
		0.1 MPa	0.2 MPa	0.3 MPa	0.4 MPa	0.5 MPa
150	1/8F	71	109	150	193	238
300	1/4F	142	219	300	386	476
450	3/8F	212	328	450	579	714
750	3/8F	354	546	750	965	1,190

*2) Measured with airflow adjustment scale set to "3".

How to order

Please inquire or order for a specific nozzle using this coding system.

<Example> 1/4F EJA 300 S303

1/4F

Pipe connection size

- 1/8F
- 1/4F
- 3/8F

EJA

300

Air capacity code

- 150
- 300
- 450
- 750

S303