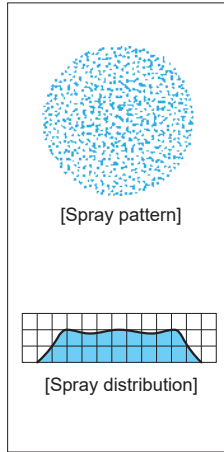
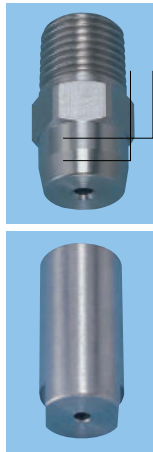


Standard Type Full Cone Spray Nozzles

JJXP

Full Cone



[Features]

- Full cone spray pattern with a round impact area and uniform distribution.
- Spray capacity ranges from small to medium.
- X-shaped whirler provides large free passage diameter, minimizing clogging.

[Standard pressure]

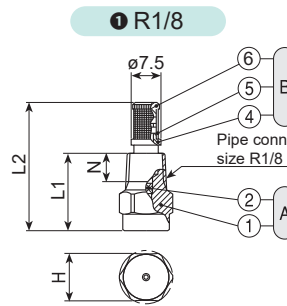
0.2 MPa

[Applications]

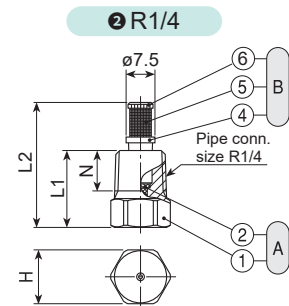
- Cleaning: Gas, incinerator fumes, machinery, eliminators, screen, tanks, parts, crushed stones, earth and sand
- Cooling: Gas, machineries, tanks, steels
- Spraying: Waste water treatment, aeration, foam breaking, fire extinguishing, dust suppression, sea water desalination

JJXP series

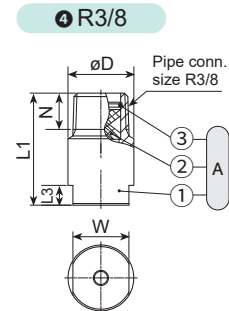
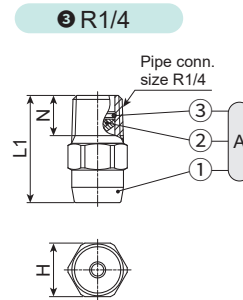
JJXP series	
Structure	<ul style="list-style-type: none"> • One-piece structure with a press-fit X-shaped whirler. The size R1/4 with spray capacity code 040–060 and the size R3/8 standard models include a C-ring.
Material	<ul style="list-style-type: none"> • Sizes R1/8–Rc1: S303 • Sizes Rc1*1/2 or larger: S316 • Whirler material is mainly S316L equivalent, but depending on nozzle codes, S316L equivalent or SCS16 whirlers are used. • Optional material¹⁾: S316, S316L, PP, or PTFE (PP and PTFE for Rc3/8 sizes and larger only) <p>¹⁾ Thread size of optional material may differ depending on materials.</p>



R1/8 (005) with strainer: **A + B**
R1/8 (010–030): **A only**

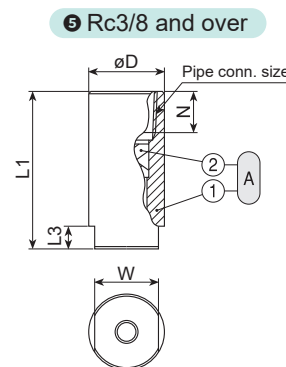


R1/4 (005) with strainer: **A + B**
R1/4 (010–030): **A only**



DWG No.	Pipe conn. size ²⁾	Dimensions (mm)							Mass (g) S303 S316
		L1	L2	L3	H	W	øD	N	
①	R1/8 (005)	20	32.5	—	12	—	—	7	9.5 ^{*3)}
	R1/8 (010–030)	20	—	—	12	—	—	7	11
②	R1/4 (005)	20	32.5	—	14	—	—	10.5	18
	R1/4 (010–030)	20	—	—	14	—	—	10.5	18
③	R1/4 (040–060)	28	—	—	14	—	—	10.5	21
④	R3/8	34	—	6	—	17	20	11	50
	Rc3/8	43	—	6	—	17	20	11	61
	Rc1/2	54	—	8	—	22	25	14	140
	Rc3/4	69	—	10	—	27	32	15	270
	Rc1	89	—	14	—	34	40	17	515
⑤	Rc1*1/2	124	—	20	—	50	58	19	1,520
	Rc2 (250–350)	160	—	24	—	60	70	23	2,600
	Rc2 (400–500)	118.5	—	24	—	60	70	23	2,050
	Rc2*1/2	147.5	—	27	—	80	90	27	4,360
	Rc3 (920)	163.5	—	30	—	90	105	30	6,700
RC3 (1200)	170.5	—	30	—	90	105	30	6,500	

²⁾ Figures in () after the pipe connection sizes indicate the spray capacity codes.
³⁾ For JJXP005 with strainer, add 2 g to the above mass.



- A) Nozzle** (① Nozzle body ② Whirler ③ C-ring)
B) Strainer (④ Strainer holder ⑤ Strainer screen [S316] ⑥ Strainer cap)

[Note] Appearance and dimensions may differ slightly depending on materials and nozzle codes.

Standard Type Full Cone Spray Nozzles JJXP series

Full Cone

Spray capacity code	Pipe connection size				Spray angle (°)			Spray capacity (ℓ/min)									Mean drop. dia. (μm)	Free pass. dia. (mm)
	R1/8	R1/4	R3/8	Rc3/8	0.05 MPa	0.2 MPa	0.5 MPa	0.03 MPa	0.05 MPa	0.1 MPa	0.15 MPa	0.2 MPa	0.3 MPa	0.5 MPa	0.7 MPa	1 MPa		
005	●	●			—	55	65	—	—	0.36	0.44	0.50	0.59	0.73	0.83	0.96	270	0.4
010	○	○			50	55	45	—	0.53	0.73	0.88	1.00	1.18	1.45	1.67	1.93	290	0.7
015	○	○			60	65	55	—	0.79	1.09	1.31	1.50	1.77	2.18	2.50	2.89	∩	0.8
020	○	○			60	65	55	—	1.06	1.46	1.75	2.00	2.36	2.91	3.34	3.86	∩	1.4
030	○	○			65	70	60	—	1.59	2.18	2.63	3.00	3.54	4.36	5.00	5.79	410	1.4
040		○			60	65	55	—	2.12	2.91	3.51	4.00	4.72	5.81	6.67	7.72	380	1.7
050		○			65	70	60	—	2.65	3.64	4.38	5.00	5.90	7.27	8.34	9.64	∩	1.7
060		○			70	75	65	2.51	3.18	4.37	5.26	6.00	7.08	8.72	10.0	11.6	520	1.7
070			○		60	65	60	2.93	3.71	5.09	6.13	7.00	8.26	10.2	11.7	13.5	480	1.9
080			○	○	65	70	65	3.35	4.24	5.82	7.01	8.00	9.44	11.6	13.3	15.4	∩	1.9
10			○	○	75	80	75	4.19	5.29	7.28	8.76	10.0	11.8	14.5	16.7	19.3	∩	2.6
12			○	○	80	85	80	5.03	6.35	8.73	10.5	12.0	14.2	17.4	20.0	23.1	660	2.6

Spray capacity code	Pipe connection size							Spray angle (°)			Spray capacity (ℓ/min)									Mean drop. dia. (μm)	Free pass. dia. (mm)
	Rc 1/2	Rc 3/4	Rc 1	Rc 1 1/2	Rc 2	R 2 1/2	Rc 3	0.05 MPa	0.2 MPa	0.5 MPa	0.03 MPa	0.05 MPa	0.1 MPa	0.15 MPa	0.2 MPa	0.3 MPa	0.5 MPa	0.7 MPa	1 MPa		
14	○							65	70	55	5.86	7.41	10.2	12.3	14.0	16.5	20.3	23.3	27.0	590	3.5
16	○							70	75	60	6.70	8.47	11.6	14.0	16.0	18.9	23.3	26.7	30.9	∩	3.5
18	○							75	80	65	7.54	9.53	13.1	15.8	18.0	21.2	26.2	30.0	34.7	∩	3.5
20	○							80	85	70	8.38	10.6	14.6	17.5	20.0	23.6	29.1	33.4	38.6	740	3.5
23		○						70	75	60	9.63	12.2	16.7	20.2	23.0	27.1	33.4	38.4	44.4	630	4.7
26		○						75	80	65	10.9	13.8	18.9	22.8	26.0	30.7	37.8	43.4	50.1	∩	4.7
30		○						80	85	70	12.6	15.9	21.8	26.3	30.0	35.4	43.6	50.0	57.9	∩	4.7
35		○						85	90	75	14.7	18.5	25.5	30.7	35.0	41.3	50.9	58.4	67.5	∩	4.7
40		○						90	95	80	16.8	21.2	29.1	35.1	40.0	47.2	58.1	66.7	77.2	∩	4.7
45		○						90	95	80	18.8	23.8	32.7	39.4	45.0	53.1	65.4	75.0	86.8	950	4.7
50			○					70	75	60	20.9	26.5	36.4	43.8	50.0	59.0	72.7	83.4	96.4	800	6.0
60			○					80	85	70	25.1	31.8	43.7	52.6	60.0	70.8	87.2	100	116	∩	6.0
80			○					90	95	80	33.5	42.4	58.2	70.1	80.0	94.4	116	133	154	∩	6.0
90			○					90	95	80	37.7	47.7	65.5	78.9	90.0	106	131	150	174	1,150	6.6
100				○				80	85	70	41.9	52.9	72.8	87.6	100	118	145	167	193	1,000	8.4
150				○				85	90	75	62.8	79.4	109	131	150	177	218	250	289	∩	10.3
200				○				90	95	80	83.8	106	146	175	200	236	291	334	386	1,350	10.3
250					○			85	90	75	105	132	182	219	250	295	363	417	482	1,200	12.7
300					○			90	95	80	126	159	218	263	300	354	436	500	579	∩	12.7
350					○			90	95	80	147	185	255	307	350	413	509	584	675	∩	12.7
400					○			75	80	65	168	212	291	351	400	472	581	667	772	∩	13.2
500					○			95	95	80	209	265	364	438	500	590	727	834	964	1,500	13.2
600						○		75	80	65	251	318	437	526	600	708	872	1,001	1,157	1,500	16.9
700						○		85	90	75	293	371	509	613	700	826	1,017	1,167	1,350	1,800	16.9
920						○		100	100	85	385	487	669	806	920	1,086	1,337	1,534	1,775	1,660	18.1
1200						○		105	105	90	503	635	873	1,052	1,200	1,416	1,744	2,001	2,315	1,950	20.0

● : Available with/without strainer (mesh size #100) ○ : Available without strainer

For spraying slurry, the nozzle material should be wear-resistant. For this purpose, the JJXP-AL92 series nozzles made of high-purity alumina are available (see page 72).

How to order

Please inquire or order for a specific nozzle using this coding system.

〈Example〉 1/8M JJXP 005 S303 W

1/8M JJXP 005 S303 W

Pipe conn. size*4	Spray capacity code	Material*5	Strainer
■ 1/8M	■ 005	■ S303	■ W (with strainer: JJXP005 only)
∩	∩	■ S316	■ (Blank denotes "without strainer")
■ 3F	■ 1200		

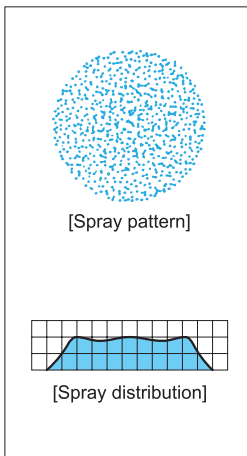
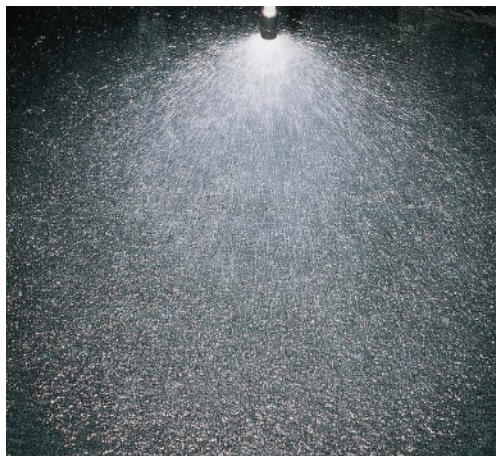
*4) "M" indicates male thread ("R" of the ISO standard) and "F" indicates female thread ("Rc" of the ISO standard), e.g. 1/8M = R1/8.

*5) See "Material" information on page 63 for standard materials by each size.

Standard Type Full Cone Spray Nozzles

~~JJXP-PP~~
JJXP-PVDF

Full Cone



[Features]

- Full cone spray pattern with a round impact area and uniform distribution.
- X-shaped whirler provides large free passage diameter, minimizing clogging.

[Standard pressure]

0.2 MPa

[Applications]

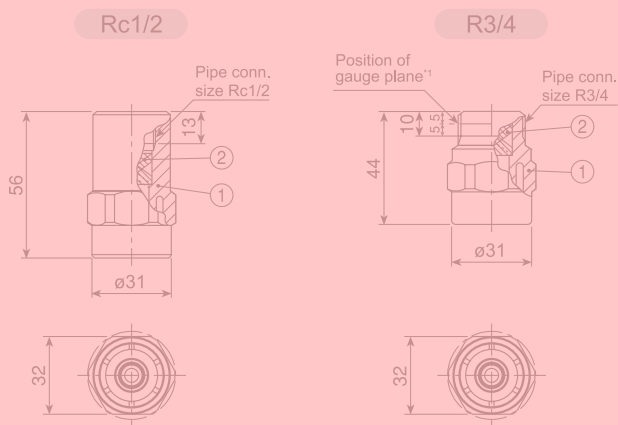
- Cleaning: Machinery, screens, tanks, crushed stones, earth and sand
- Cooling: Machinery, tanks
- Spraying: Waste water treatment, aeration, foam breaking, dust suppression, etching, chemicals

JJXP-PP series

JJXP-PP series	
Structure	• One-piece structure with a press-fit X-shaped whirler.
Material	• PP
Mass	• Rc1/2: 25.3 g • R3/4: 17.9 g

*1) Please note that the position of standard diameter for male thread type has been changed.

[Note] Appearance and dimensions may differ slightly depending on materials and nozzle codes.



① Nozzle body ② Whirler

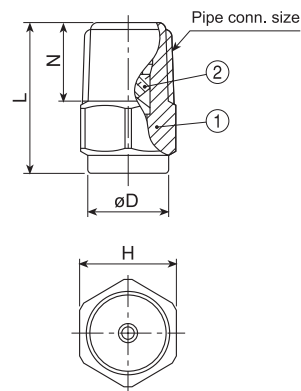
Not available (discontinued models)

JJXP-PVDF series

JJXP-PVDF series	
Structure	• One-piece structure with a press-fit X-shaped whirler.
Material	• PVDF

Pipe conn. size	Dimensions (mm)				Mass (g)
	L	H	øD	N	
R1/8	18	12	11	8	2.2
R1/4	22	14	12	11.5	4.1

[Note] Appearance and dimensions may differ slightly depending on materials and nozzle codes.



① Nozzle body ② Whirler

■ JJXP-PP series

Spray capacity code	Pipe conn. size		Spray angle (°)			Spray capacity (ℓ/min)									Mean droplet diameter (μm)	Free passage diameter (mm)
	Rc1/2	R3/4	0.05 MPa	0.2 MPa	0.5 MPa	0.03 MPa	0.05 MPa	0.1 MPa	0.15 MPa	0.2 MPa	0.3 MPa	0.5 MPa	0.7 MPa	1 MPa		
2*100/																
12	○	○	96	100	92	5.03	6.35	8.73	10.5	12.0	14.2	17.4	20.0	23.1	570	3.1
13	○	○	96	100	92	5.44	6.88	9.46	11.4	13.0	15.3	18.9	21.7	25.1		3.1
14	○	○	96	100	92	5.86	7.41	10.2	12.3	14.0	16.5	20.3	23.3	27.0		3.5
15	○	○	96	100	92	6.28	7.94	10.9	13.1	15.0	17.7	21.8	25.0	28.9	}	3.5
16	○	○	96	100	92	6.70	8.47	11.6	14.0	16.0	18.9	23.3	26.7	30.9		3.5
18	○	○	96	100	92	7.54	9.53	13.1	15.8	18.0	21.2	26.2	30.0	34.7		3.5
20	○	○	96	100	92	8.38	10.6	14.6	17.5	20.0	23.6	29.1	33.4	38.6	740	3.5

[Note] JJXP-PP with spray capacity code of 12–16 are guaranteed to within 0 to +10% of the rated spray capacity under the standard pressure.

■ JJXP-PVDF series

Spray capacity code	Pipe conn. size		Spray angle (°)			Spray capacity (ℓ/min)									Mean droplet diameter (μm)	Free passage diameter (mm)
	R1/8	R1/4	0.05 MPa	0.2 MPa	0.5 MPa	0.03 MPa	0.05 MPa	0.1 MPa	0.15 MPa	0.2 MPa	0.3 MPa	0.5 MPa	0.7 MPa	1 MPa		
010	○	○	60	65	55	—	0.53	0.73	0.88	1.00	1.18	1.45	1.67	1.93	290	0.8
015	○	○	60	65	55	—	0.79	1.09	1.32	1.50	1.77	2.18	2.50	2.89		1.0
020	○	○	60	65	55	—	1.06	1.46	1.75	2.00	2.36	2.91	3.34	3.86	}	1.5
025	○	○	60	65	55	—	1.32	1.82	2.20	2.50	2.95	3.62	4.17	4.82		1.5
030	○	○	60	65	55	—	1.59	2.18	2.63	3.00	3.54	4.36	5.00	5.79	410	1.5

How to order

Please inquire or order for a specific nozzle using this coding system.

Not available (discontinued models)

① JJXP-PP series

〈Example〉 1/2F JJXP 2*100/14 PP

1/2F JJXP 2*100/ 14 PP

Pipe conn. size*2	Spray capacity code
■ 1/2F	■ 12
■ 3/4M	}
	■ 20

② JJXP-PVDF series

〈Example〉 1/8M JJXP 010 PVDF

1/8M JJXP 010 PVDF

Pipe conn. size*2	Spray capacity code
■ 1/8M	■ 010
■ 1/4x1/8M	}
	■ 030

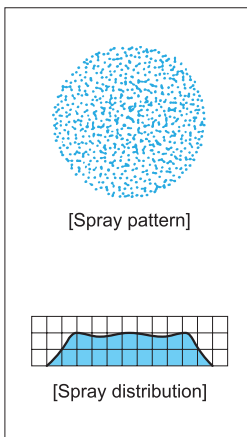
*2) "M" indicates male thread ("R" of the ISO standard) and "F" indicates female thread ("Rc" of the ISO standard), e.g. 1/8M = R1/8. Pipe connection size for R1/4 is indicated as "1/4x1/8M" in JJXP-PVDF series.

Standard Type Full Cone Spray Nozzles

JJXP-HTPVC JJXP-PVC

For spraying chemicals such as hydrochloric acid, heat-treated HTPVC injection-molded **JJXP-HTPVC series** nozzles are available.

Full Cone



[Features]

- Full cone spray pattern with a round impact area and uniform distribution.
- X-shaped whirler provides large free passage diameter, minimizing clogging.
- X-shaped whirler is removable for easy maintenance.

[Standard pressure]

0.2 MPa

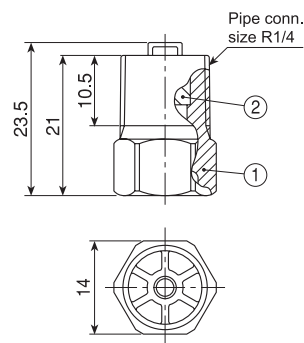
[Applications]

Spraying: Etchants, chemicals
Cleaning: Printed circuit boards

JJXP-HTPVC series

JJXP-HTPVC series	
Structure	• One-piece structure with a removable X-shaped whirler.
Material	• HTPVC
Mass	• 2.5 g

[Note] Appearance and dimensions may differ slightly depending on materials and nozzle codes.

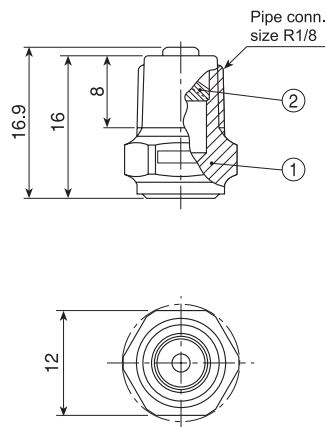


① Nozzle body ② Whirler

JJXP-PVC series

JJXP-PVC series	
Structure	• One-piece structure with a removable X-shaped whirler.
Material	• PVC
Mass	• 1.4 g

[Note] Appearance and dimensions may differ slightly depending on materials and nozzle codes.



① Nozzle body ② Whirler

Standard Type Full Cone Spray Nozzles JJXP-HTPVC/JJXP-PVC series

■ JJXP-HTPVC series

Spray capacity code	Spray angle (°)			Spray capacity (ℓ/min)									Mean droplet diameter (μm)	Free passage diameter (mm)
	0.05 MPa	0.2 MPa	0.5 MPa	0.03 MPa	0.05 MPa	0.1 MPa	0.15 MPa	0.2 MPa	0.3 MPa	0.5 MPa	0.7 MPa	1 MPa		
040	60	65	55	—	2.12	2.91	3.51	4.00	4.72	5.81	6.67	7.72	380	2.2
050	65	70	60	—	2.65	3.64	4.38	5.00	5.90	7.27	8.34	9.64	5	2.2
060	70	75	65	2.51	3.18	4.37	5.26	6.00	7.08	8.72	10.0	11.6	520	2.2

■ JJXP-PVC series [1/8M JJXP 2*75/2 PVC]

Spray angle (°)			Spray capacity (ℓ/min)									Mean droplet diameter (μm)	Free passage diameter (mm)
0.05 MPa	0.2 MPa	0.5 MPa	0.03 MPa	0.05 MPa	0.1 MPa	0.15 MPa	0.2 MPa	0.3 MPa	0.5 MPa	0.7 MPa	1 MPa		
70	75	66	—	1.06	1.46	1.75	2.00	2.36	2.91	3.34	3.86	350	1.5

How to order

Please inquire or order for a specific nozzle using this coding system.

① JJXP-HTPVC series

〈Example〉 1/4M JJXP 040 HTPVC

1/4M JJXP 040 HTPVC

Spray capacity code

- 040
- 050
- 060

② JJXP-PVC series

1/8M JJXP 2*75/2 PVC